

**Мультимедийный ресивер 2 DIN с 7" сенсорным TFT-дисплеем, ТВ-тюнером и Bluetooth**  
**2 DIN Multimedia receiver with 7" TFT touch screen display, TV tuner and Bluetooth**

Руководство по эксплуатации

Instruction manual

**Dear customer!**

Thank you for purchasing our product. For safety, it is strongly recommended to read this manual carefully before connecting, operating and/or adjusting the product and keep the manual for reference in the future.

|   |           |
|---|-----------|
| <b>IMPORTANT SAFEGUARDS</b> .....         | <b>3</b>  |
| <b>ACCESSORIES</b> .....                  | <b>4</b>  |
| <b>INSTALLATION/CONNECTIONS</b> .....     | <b>5</b>  |
| <b>PANEL CONTROLS</b> .....               | <b>10</b> |
| <b>GENERAL OPERATIONS</b> .....           | <b>13</b> |
| <b>BLUETOOTH</b> .....                    | <b>16</b> |
| <b>RADIO OPERATIONS</b> .....             | <b>18</b> |
| <b>TV TUNER OPERATIONS</b> .....          | <b>20</b> |
| <b>GPS NAVIGATION</b> .....               | <b>21</b> |
| <b>USB/SD OPERATIONS</b> .....            | <b>21</b> |
| <b>STEERING WHEEL CONTROL (SWC)</b> ..... | <b>23</b> |
| <b>SMARTPHONE MIRRORING BY HDMI</b> ..... | <b>24</b> |
| <b>CLEANING</b> .....                     | <b>25</b> |
| <b>TROUBLESHOOTING GUIDE</b> .....        | <b>26</b> |
| <b>SPECIFICATIONS</b> .....               | <b>27</b> |

## Important safeguards

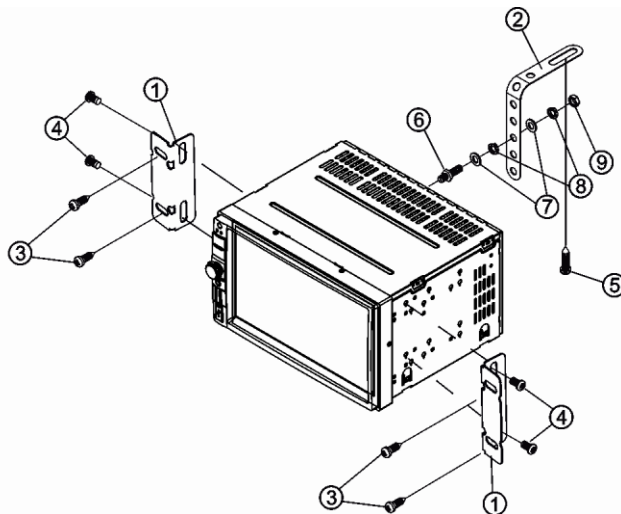
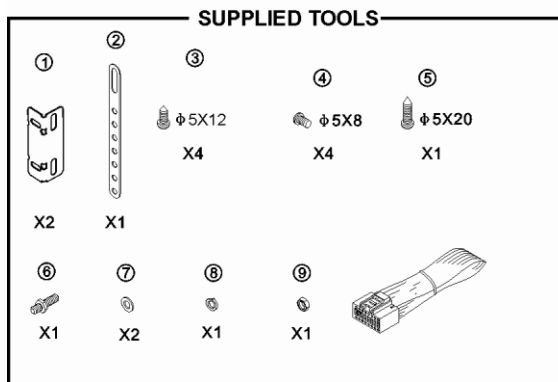
- Read carefully through the manual to familiarize yourself with this unit.
- Keep this manual handy as a reference for operating procedures and precautions. Do not allow persons who have not read through this manual to use this unit.
  - Do not allow this unit to come into contact with liquids. Electrical shock could result. Also, damage to this unit, smoke, and overheating could result from contact with liquids or dust. Protect this unit from moisture.
  - Make sure that foreign objects do not get inside the unit; they may cause malfunctions, or create safety hazards such as electrical shock or laser beam exposure.
  - The beginning of operation is the moment of the unit installation. Before use the device in winter it is recommended to heat up the passenger compartment during 20 seconds or to the operation temperature.
  - Using the unit with the temperature that goes beyond the operation temperature greatly decreases the operation resource of the screen and other components of the unit and can result in an outage.
  - Disconnect the vehicle's negative battery terminal while mounting and connecting the unit.
  - The unit is designed for negative terminal of the battery, which is connected to the vehicle metal. Please ensure it before installation.
  - When replacing the fuse, be sure to use one with an identical amperage rating. Using a fuse with a higher amperage rating may cause serious damage to the unit.
  - Do not allow the speaker wires to be shorted together when the unit is switched on. Otherwise it may overload or burn out the power amplifier.
  - Make sure you disconnect the power supply and aerial if you will not be using the system for a long period or during a thunderstorm.
  - Make sure you disconnect the power supply if the system appears to be working incorrectly, is making an unusual sound, has a strange smell, has smoke emitting from it or liquids have got inside it. Let a qualified technician check the system.
- Always keep the volume low enough so that you can hear sounds from outside the vehicle.
- Should this product fail to operate properly, contact your dealer or nearest service center.

**Accessories**

- 1. Media player 1 pc
- 2. Remote controller 1 pc
- 3. ISO connector 1 pc
- 4. Mounting parts:
  - Mounting bracket 2 pcs
  - Steel bar 1 pc
  - Screw B 5x20 1 pc
  - Nut M5 1 pc
  - Flat washer 2 pcs
  - Spring washer 2 pcs
  - Bolt M5 1 pc
  - Screw B 5x12 4 pcs
  - Screw B 5x6 4 pcs
- 5. Consumer information 1 pc
- 6. Warranty card 1 pc
- 7. Instruction manual 1 pc

## Installation/Connections

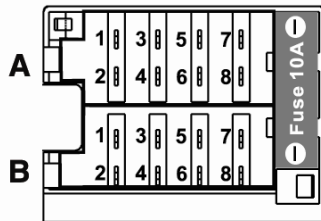
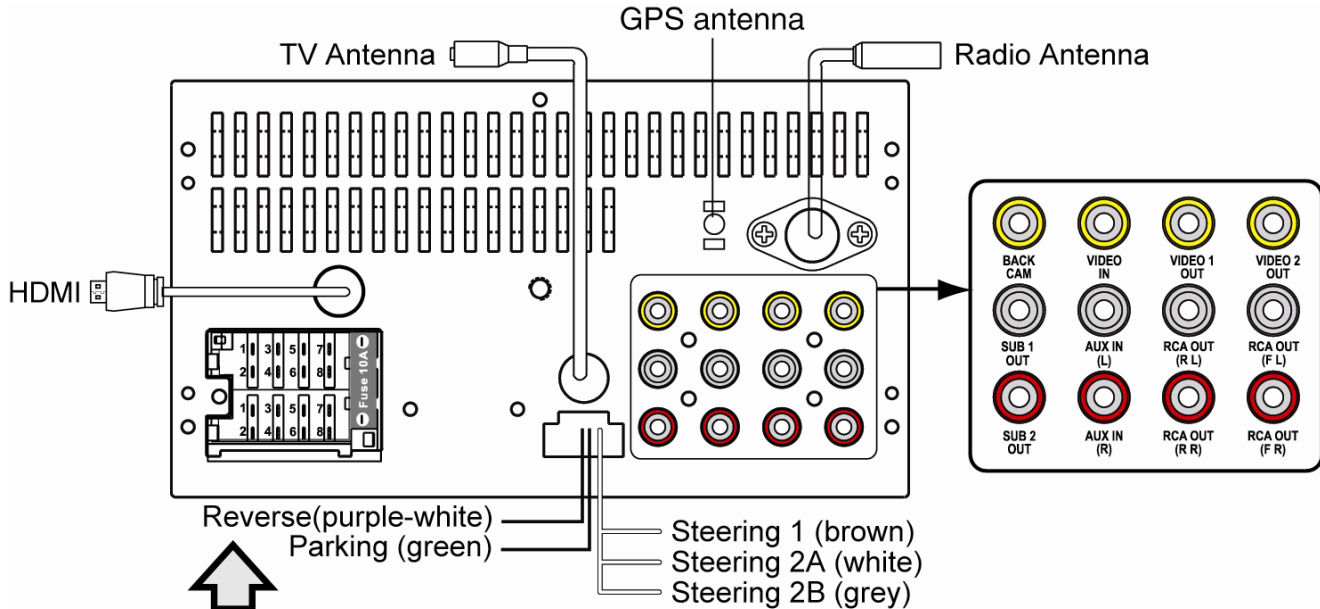
- Choose the mounting location where the unit will not interfere with the normal driving function of the driver.
- Before finally installing the unit, connect the wiring and make sure that the unit works properly.
- Consult with your nearest dealer if installation requires the drilling of holes or other modifications of the vehicle.
- Install the unit where it does not get in the driver's way and cannot injure the passenger if there is a sudden stop, like an emergency stop.
- If installation angle exceeds 30° from horizontal, the unit may not perform properly.
- Avoid installing the unit where it would be subject to high temperature, such as from direct sunlight, or from hot air, from the heater, or where it would be subject to dust, dirt or excessive vibration.



**Mounting**

- Connect the cable set and the antenna to the vehicle's electronics corresponding to the connection table (see farther).
- Attach the mounting racks to the sides and to the back of the unit, and fix them with the screws.
- Insert the unit into the slot until the stop. The unit then audibly snaps.
- Fasten the screws to fix the unit.
- The device is distinguished by a high degree of output. During operation, this results in a strong heat generation. Therefore no cables or other parts may adjoin the device. If their insulation melts, there is the risk of a short circuit or fire.
- Removing: Turn off the device. Clamp off the negative pole of the vehicle battery for the duration of the disassembly. Unscrew the four screws. Remove carefully the unit from the slot and disconnect all wires. Make sure that no vehicle cable can cause a short circuit after the device has been unplugged.

## Connection diagram



### Connector A

1. Rear right speaker(+)/Purple
2. Rear right speaker(-)/Purple-Black
3. Front right speaker(+)/Grey
4. Front right speaker(-)/Grey-Black
5. Front left speaker(+)/White
6. Front left speaker(-)/White-Black
7. Rear left speaker(+)/Green
8. Rear left speaker(-)/Green-Black

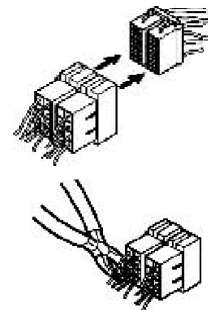
### Connector B

1. -
2. -
3. -
4. Battery 12V (+)/Yellow
5. Antenna power/Blue-White
6. Panel light/Orange-White
7. ACC+/Red
8. Ground/Black

**Using the ISO Connector**

1. If your car is equipped with the ISO connector, then connect the ISO connectors as illustrated.
2. For connections without the ISO connectors, check the wiring in the vehicle carefully before connecting, incorrect connection may cause serious damage to this unit.

Cut the connector, connect the colored leads of the power cord to the car battery as shown in the colour code table below for speaker and power cable connections.

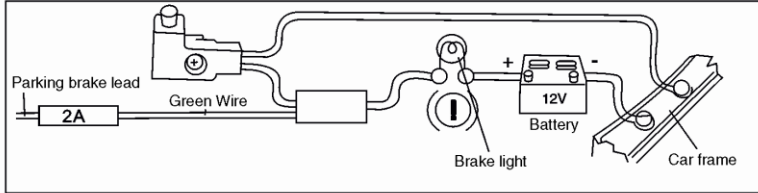


| Location | FUNCTION                            |                          |
|----------|-------------------------------------|--------------------------|
|          | Connector A                         | Connector B              |
| 1        | Rear right speaker (+)/Purple       | -                        |
| 2        | Rear right speaker (-)/Purple-Black | -                        |
| 3        | Front right speaker (+)/Grey        | -                        |
| 4        | Front right speaker (-)/Grey-Black  | Battery 12V (+)/Yellow   |
| 5        | Front left speaker (+)/White        | Antenna power/Blue-White |
| 6        | Front left speaker (-)/White-Black  | Panel light/Orange-White |
| 7        | Rear left speaker (+)/Green         | ACC+/Red                 |
| 8        | Rear left speaker (-)/Green-Black   | Ground/Black             |

Power antenna wire is intended for power supply of the antenna and for remote control of an additional amplifier.

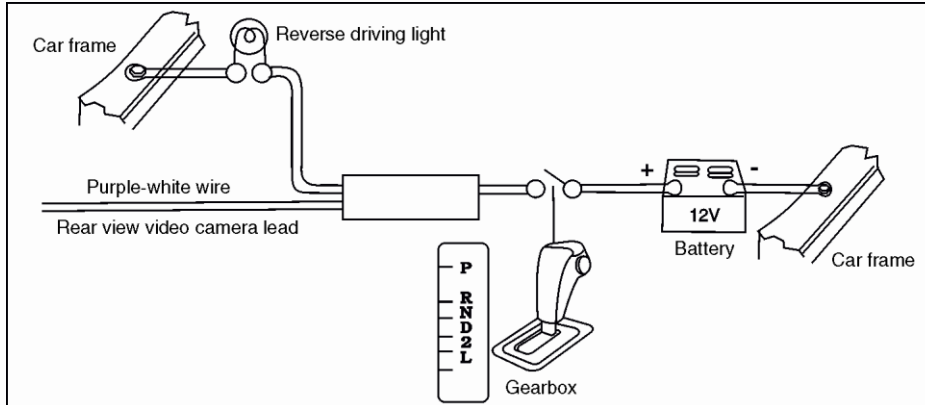


### Parking wire connection



If Parking cable is connected to hand brake switch, the video display of the TFT monitor will be controlled by driving status, system setup and input video sources. When the car is moving ahead, if the video disc is played, the screen shows a warning message. The warning screen will prevent the driver from watching images.

### Reverse driving cable connection

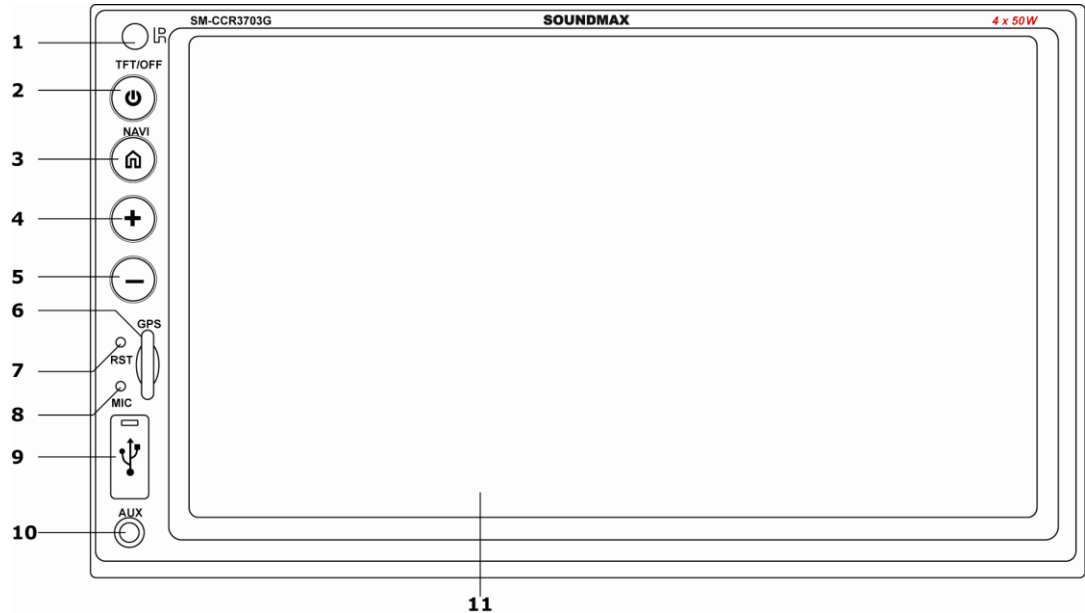


If the rear view video camera is connected, the unit automatically switches to camera picture during reverse driving. The unit returns to the original work mode after the reverse driving is done.

## Panel controls

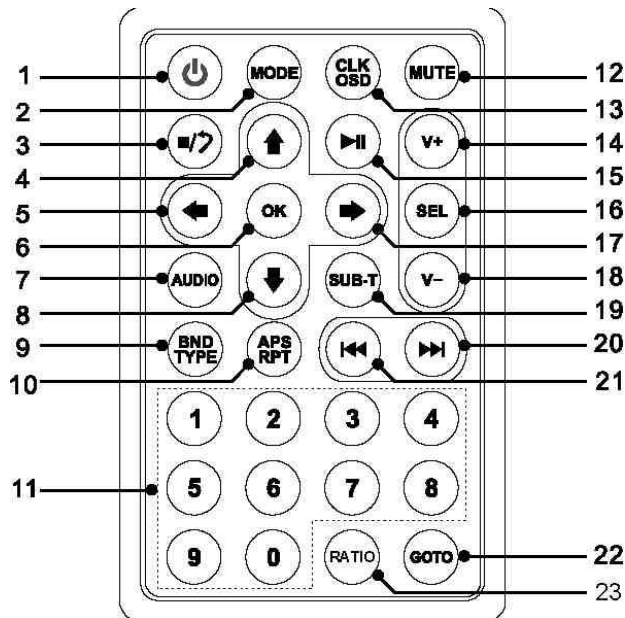
### Front panel

1. IR-sensor
2. TFT/ON/OFF button
3. HOME/NAVI button
4. VOL+ button
5. VOL- button
6. GPS data card slot
7. RESET button(hole)
8. Microphone
9. USB port
10. AUX-in
11. Display



## Remote controller

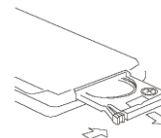
1. Power On/off
2. Mode Switch Button
3. Stop Playback
4. Navigation Up
5. Navigation Left
6. Enter Button
7. Change The Audio Output Method
8. Navigation Down
9. Band/Select Type
10. Auto Preset Scan/Repeat Play
11. Tuning/Music Selection (numeric key)
12. Mute Sound Button
13. Time Clock Display/Statistical Disc Information Display Button
14. VOL +
15. Play/Pause Function
16. Sound Select Button
17. Navigation Right
18. VOL -
19. Subtitle Language Switching Key
20. Next Track/Next Radio Station
21. Previous Track/Previous Radio Station
22. GO TO Button (track selection)
23. Aspect Ratio Button



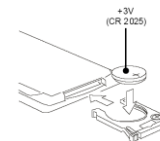
SOUNDMAX

### Changing the battery

1. Press the catch and at the same time pull out the battery tray (pic. 1).
2. Insert the 1 lithium battery, type CR2025 (3V) battery with the stamped (+) mark facing upward. Insert the battery tray into the remote controller (pic.2).



Pic. 1



Pic. 2

### Warning:

- Store the battery where children cannot reach. If a child accidentally swallows the battery, consult a doctor immediately.
- Do not recharge, short, disassemble or heat the battery or dispose it in a fire.
- Do not expose or bring into contact the battery with other metallic materials. Doing this may cause the battery to give off heat, crack or start a fire.
- When throwing away or saving the battery, wrap it in tape and insulate; otherwise, the battery may give off heat, crack or start a fire.
- Please direct the Remote controller to the IR sensor of the front panel.

## General operations

### Touch screen

Due to the touch screen, you can fulfill most functions not only by pressing buttons but also by touching the options you need.

### Turning the unit on/off

Press the POWER Button to turn the unit on. When the unit is on, press the POWER Button once to turn the TFT off. During TFT off, the video out signal will be available so that the connected monitor will show the screen of the unit. Press the POWER Button again to turn the TFT back on. Press and hold the POWER button again to turn the unit off..

### Reset the unit

Operating the unit for the first time or after replacing the car battery, you must reset the unit. Press reset button on the unit with a pointed object (such as a ballpoint pen) to set the unit to initial state.

When some errors occur on the display, you can also press reset button to resume to normal, and it will erase the clock setting and some memorized functions.

### Setting the sound characteristics

- Volume: Use the VOL +/- Button to adjust the volume level. Turn the button clockwise to increase the volume, and vice versa. The larger the number of volume, the higher the volume level. You can also adjust the volume by sliding the volume icon on top of the screen.
- Bass: Press the SEL Button on the RC until the display shows "BAS". Use the VOL +/- Button to adjust. When EQ is ON, bass control is not available.
- Treble: Press SEL Button on the RC until the display shows "TRE". Use the VOL +/- Button to adjust. When EQ is ON, treble control is not available.

- SOUNDMAX**
- **Balance:** Press SEL Button on the RC until the display shows "BAL", then use the VOL +/- Button to adjust the balance between the left & right speakers.
  - **Fader:** Press SEL Button on the RC until the display shows "FAD", then use the VOL +/- Button to adjust the balance between the front & rear speakers.
  - **Other Audio Settings:** You can adjust other audio settings like preset equalizer, loudness or subwoofer ON/OFF by tapping the "EQ" icon on the main menu, or on the control menu of other audio/video play modes.

### **Mute function**

Press MUTE button on the RC to turn off the sound. Press the button again or adjust volume to resume the sound output.

### **Mode selection**

Press the MODE Button to cycle the Play Modes between RADIO, BT (Bluetooth), USB, SD and AUX in.

### **RCA output**

The RCA Output is on the back of the unit. (Refer to Wiring Diagram) This output is for connecting amplifier, equalizer, or other audio component that requires a pre-amp out connection. (Red=Right, White=Left) Follow the manufactures instructions for the audio component that you are connecting.

### **AV in jack**

The Video Output Jack is on the back of the unit. (Refer to Wiring Diagram) This output (in yellow) is for connecting monitor(s). You must connect a monitor for car in order to play this unit in another monitor. Consult your dealer for any kinds of monitors that are suitable to use in car.

**Subwoofer**

The Subwoofer Output is on the wire harness. (Refer to Wiring Diagram) This output is designet for connecting up to 2 subwoofers to the unit. Follow the amplifier's installation instructions. You can turn the subwoofer on/off by pressing the icon in the main menu.

**Rear view camera function**

The rear view camera input is on the back of the unit. (refer to wiring diagram). This input (in yellow) is for connecting backup camera for parking. You must connect the VCC wire (in pink color) to the reverse gear switch in order to activate this video input mode when you switch the reverse gear of your car. Please refer to the wiring diagram for more details.

## **Bluetooth**

### **PAIRING**

At BT mode, search bluetooth device by the phone and "BT CAR STEREO" will appear in your phone. Input "0000" as password to establish connection.

### **DIAL PAD**

Touch the dial pad to dial the number you would like to call. Touch the CALL (green) button to send the number.

### **CALL RECORD**

Press the HISTORY button to enter the phone book page to view received, missed and dialed calls. More details in the next page.

### **A2DP**

Press the MUSIC button to enter the A2DP page to control playing music of your cellphone. More details in the next page.

### **REJECT CALL**

Press the REJECT (red) button to end the call or to reject an incoming call.

### **RETURN TO USER INTERFACE**

Touch the arrow key on the top right corner to return to the main user interface.

### **VIEW RECEIVED CALLS**



Touch the RECEIVED CALLS button, the received calls will be displayed. There will be up/down arrows displayed for you to view them one by one.

**VIEW MISSED CALLS**

Touch the MISSED CALLS button, the missed calls will be displayed. There will be up/down arrows displayed for you to view them one by one.

**VIEW DIALED CALLS**

Touch the DIALED CALLS button, the dialed calls will be displayed. There will be up/down arrows displayed for you to view them one by one.

**PLAYING MUSIC ON YOUR CELLPHONE**

After activating music player in the cellphone and selecting "Play via bluetooth", touch PLAY/PAUSE to play or pause the music. Touch PREVIOUS or NEXT to select down or up one song in your song list.

## Radio operations

### Band select

In Radio mode press the BAND button onscreen to choose among the five radio bands - three FM Bands (FM1, FM2, and FM3) and two AM Bands (AM1, and AM2). Each of the five bands can store up to six preset stations, for a total of 30 preset memory stations.

### Auto/Manual tuning

- Automatic tuning: In Radio mode, touch and hold PREVIOUS or NEXT button to adjust the radio frequency automatically. The radio will seek to the next or previous strong and clear frequency station automatically. Repeat this action to seek for other desired stations. To stop automatic search, press one of these buttons. Or press repeatedly shortly or button on the RC to manually adjust the radio frequency.
- Manual tuning: Press repeatedly shortly or button on the RC to manually adjust the radio frequency.

### Automatic store/preset scan

There are six numbered preset buttons on the the screen (P1-P6) which can store and recall stations for each band. While listening to a radio station you would like to save as a preset, touch and hold any key from P1-P6 until you hear a beep. The station will be saved in the designated number.

### Mono/Stereo control (in FM radio mode)

In FM radio mode, touch the ST button to select stereo or mono reception. ST ON means stereo reception of the signal; ST OFF means mono reception mode. Improvement of reception of distant stations can be done by selecting mono mode, which may cut down some reception noise.

### **Local radio station search**

In radio mode, touch the LIST button and then the LOC button to select local or distance reception. LOC ON means that only local stations are received; LOC OFF means that both local and distant stations with weak and strong signal are received.

### **RDS function**

RDS (Radio Data System) service availability varies with areas. Please understand if RDS service is not available in you area, the following service is not available, either.

### **AF (Alternative Frequencies) function**

Press LIST button to show the function list; tap AF to select AF ON or AF OFF.

When the function is on, AF symbol will light up on the display.

When the radio signal strength is poor, enabling the AF function will allow the unit to automatically search another station with the same PI (Program Identification) as the current station but with a stronger signal, so that you do not have to retune the stations when driving between different transmitter coverage areas.

PS (Program Service name): the name of station will be display instead of frequency.

If RDS service is not available in your area, turn off the AF mode.

### **TA (Traffic Alarm) function**

Press LIST button to show the function list; tap TA to select TA ON or TA OFF.

When TA is on, the TA symbol will show on the display.

In TA mode traffic program will be automatically searched, until the program is received. When traffic announcement is received the unit will temporarily switch to the tuner mode (regardless of the current mode) and begin broadcasting the announcement. After the traffic announcement is over, it will return to the previous mode and volume level.

### **PTY (Program Type)**

Press LIST button to show the function list; tap PTY to select PTY ON or PTY OFF. When PTY is selected, the radio starts to search corresponding PTY information, and stops if the corresponding PTY information is detected. If no buttons are pressed within several seconds, previously selected PTY is searched. During 1 loop, if desired PTY is not found, the unit will return to previous mode.

## **TV tuner operations**

### **SCAN**

Press SCAN to seek all strong and clear frequency stations available and store them.  
Press PREVIOUS/NEXT buttons to seek another station.

### **Saved channels**

When you reach the desired TV channels, they will be automatically saved for you to recall later.

### **Selecting saved channels**

Press cursor Buttons to select the saved stations up or down.

### **GOTO**

Tap the GOTO button on the bottom menu, then you will enter a screen for you to input the exact frequency of TV station. After putting the information, tap the OK button and the unit will go to the desired radio frequency.

### **SYSTEM**

To switch your television system, tap the SYSTEM button on the right of the screen. The sequence will be shown as follows: PAL M => PAL N => NTSC MN => PAL I =>SECAM DK.

**AUDIO**

To switch the audio system, tap the AUDIO button on the right of the screen. The sequence will be shown as follows:

SECAM BG => SECAM DK

**ENTER**

When TV is playing, tap the screen anytime to come back to the TV menu. Press ENTER to resume playing.

**GPS navigation**

Tap the GPS logo on the on-screen display to enable GPS navigation. Follow the onscreen instruction to input your destination and start navigation. The operation varies from software to software.

Press the HOME/NAVI button once and the unit will go to main menu. Press and hold the MENU/NAVI button to go to GPS menu (if the GPS card already installed, otherwise you will go back to main menu). Press the HOME/NAVI button once to go back to main menu.

**USB/SD operations****USB/SD/MMC notes**

USB format supports 1.1. Capacity: up to 1 TB.

For correct and satisfactory operation, licensed micro SD memory cards of famous brands should be used with this unit. Avoid using memory cards of unknown brands. Capacity: up to 32 GB.

According to the USB 1.1/2.0 Standard, usage of a USB device with power current consumption exceeding 500 mA is not recommended without supplementary power supply. Failure to use supplementary power for connected USB drives with power consumption exceeding this value as well as defective USB drives may cause mechanical or thermal changes of elements of this unit as well as failure of internal elements of the USB port. Such damages are not warranty cases.

Warning: usage of external USB drives containing BIN files in the root directory may cause malfunction of the unit or damage to the software.

### **Inserting an SD card/USB device**

Insert an SD memory card into the card slot. Open the USB slot cover on the front panel and insert a USB into the USB slot.

### **HOME button**

Press the HOME button during playback in order to see the full list of files along with file types. All the file names are displayed for your easy reference. Select the desired file types and file names by tapping on the screen.

### **Aspect ratio**

During video playback, tap the screen or press the RATIO button to switch the aspect ratio of the video. On the menu you can select full screen, 16:9, and 4:3 accordingly. The viewing effect will depend on the video file so it may vary.

### **Play/pause**

Press PLAY/PAUSE button on the RC to pause playback, press it again to resume playback.

### **Selecting tracks**

During playback press PREV. button on the RC or on the screen to play the previous track. Press NEXT button on the RC or on the screen to play the next track. Press number buttons (0-9) on the RC to select the desired track/chapter.

### **Fast forward/rewind**

Press and hold the forward or rewind icons on the touch screen during audio playback. The unit will fast forward/rewind the song/video until you release.

When fast backward/forward playback reaches the previous or next track, the unit will resume normal playback.

### **Other settings**

During playback, you can adjust other settings including random/repeat play, and sub-title/audio channel, etc, by tapping on the menu list on the button of the screen. During video playback, tap the screen once and the menu list will show up.

## **Steering wheel control (SWC)**

Refer to the wiring diagram for connection. The brown wire (SWC 1) must be connected, then the white or grey (SWC 2A and 2B) will be connected depending on the total number of the wire from the steering wheel remote control of your vehicle.

Tap steering wheel logo in the OSD. Press RESET before the set up. Select from the 10 functions according to the number of available keys on the steering wheel of your vehicle. Press any key on your steering wheel, then tap the function key you would like to assign. The frequency of the function will be shown on the display. Repeat the step for other keys on the steering wheel. Tap ENTER after your set up is complete and then you can operate the unit by your steering wheel.

## Smartphone mirroring by HDMI

This unit is equipped with an HDMI input for connection with smartphones, DVBT-2 receivers, media players and any devices with HDMI output.

### CONNECTION WITH ANDROID PHONE (MHL)

Connect any Android phone with MHL (Mobile High Definition Link) support. You need to have an MHL adaptor (not included). After connection, the sound and image of the phone will be mirrored on the screen of the unit, so that you can display the cellphone and make use of its resources such as navigation, photo/video sharing and presentation.

### CONNECTION WITH IPHONE (4S OR LATER)

Connect your iPhone with HDMI output capability. You need to have an HDMI adaptor (not included). After connection, the sound and image of the iPhone will be mirrored on the screen of the unit, so that you can display the iPhone and make use of its resources such as navigation, photo/video sharing and presentation.

To determine if your smartphone supports MHL, please check your phone's specifications for MHL connectivity. See the list of supported smartphones below.

The unit only works with original iPod 30 pin to HDMI (for iPhone 4S), or Lightning to HDMI adaptor (for iPhone 5 and later). Using generic adaptors may not be compatible with our product and may produce no image and sound.

### **List of Android Smartphone's with MHL support**

At the time of unit manufacture the following smartphones of major brands support the MHL function (please check your phone specifications if you cannot find it in the list):

#### SAMSUNG

Galaxy Note 3, Galaxy Tab 3 8", 10.1", Galaxy S4, S4 Active, S4 Zoom, Galaxy Mega 6.3/5.8  
Galaxy Note 8, Galaxy Express, Galaxy Note II, Galaxy S III, Galaxy Nexus 2, Galaxy Note 5.3", Captivate  
Glide, Epic 4G Touch, Galaxy S II



## HTC

Butterfly, Butterfly S, Droid DNA, One, One XL, One X+, One X, One S, EVO, Raider, Velocity, Vivid, Rezound, Amaze, Sensation XE, JetStream, Sensation 4G, EVO View 4G, EVO 3D, Sensation, Flyer.

## LG

Optimus GJ, Optimus G, Optimus 4X HD, Optimus LTE II, Optimus LTE Tag, Optimus 3D Max, Optimus Vu, Spectrum, Prada, Nitro HD.

## SONY

Xperia Z1, Xperia Z Ultra, Xperia UL, Xperia ZR, Xperia AC, Xperia Tablet Z, Xperia SP, Xperia Z, Xperia ZL, Xperia TL, Xperia TX, Xperia T, Xperia V, Xperia GX, Xperia SX.

## **Cleaning**

### **Cleaning the cabinet**

Wipe with a soft cloth. If the cabinet is very dampen (not dropping wet) the cloth with a weak solution of soapy water, and then wipe clean.

## Troubleshooting guide

Below is a table describing simple measures that can help you eliminate most problems likely to emerge when this unit is in use. If below measures do not help, turn to a service center or to the nearest dealer.

| Symptom                               | Cause/Solution  |
|---------------------------------------|---|
| No Power                              | Check whether the fuse is blown, replace with fuse of proper value if necessary   |
| Unit stops responding or shows error. | Press the RESET button.   |
| Unable to receive radio stations.     | Check whether the antenna is inserted or the antenna is properly connected.   |
| Poor effect on receiving a station.   | -Antenna may not be of the proper length. Make sure the antenna is fully extended. If broken, replace the antenna with a new one.<br>-The broadcasting signal is weak.<br>-The antenna is poorly grounded; check and make sure the antenna is properly grounded at its mounting location. |
| No pictures                           | -The video line from main unit to monitor is not connected properly (for external monitor)<br>-The purple brake wire is not grounded or connected to brake properly.  |
| The picture appears grainy            | -Check the color system. (PAL or NTSC)  |

## Specifications

### General

|                           |                         |
|---------------------------|-------------------------|
| Power supply:             | 12 V DC                 |
| Maximum power output:     | 4 x 50 W                |
| Dimensions/Net weight     | 178 x 138 x 100 mm/1 kg |
| Mounting angle            | 0 to +/-30°             |
| Working temperature range | -20°C - +60°C           |

### Display

|                 |                       |
|-----------------|-----------------------|
| Display         | 7" TFT                |
| Resolution:     | 800 (RGB) x 480       |
| Aspect ratio:   | 16:9                  |
| Contrast ratio: | 500:1                 |
| Brightness:     | 400 cd/m <sup>2</sup> |
| View angle:     | 120°                  |

### FM Stereo Radio

|                         |                              |
|-------------------------|------------------------------|
| Frequency range:        | 65.0 – 74.0/87.5 – 108.0 MHz |
| Preset memory stations: | 18                           |

### AM Radio

|                         |                    |
|-------------------------|--------------------|
| Frequency range:        | 522 kHz - 1620 kHz |
| Preset memory stations: | 12                 |

### TV Tuner

|               |                    |
|---------------|--------------------|
| Color System: | PAL/SECAM          |
| Tuning Range: | 48.25 – 863.25 MHz |

### Bluetooth

|                |   |
|----------------|---|
|                | 2.1+EDR (key length 4-128 bytes), maximum range<br>w/o amplifiers and transmitters 10 m |
| Frequency, MHz | 2400-2483.5   |
| Power, mW      | 10  |
| Protocol       | 802.15.4  |

### Player

|                   |   |
|-------------------|---|
| Supported storage | USB/micro SD  |
| Supported formats | MP3/WMA/OGG/AAC/RMVB/FLV/TS/TP/M2TS/AVI/<br>MPEG4/MOV/MKV/MPG/VOB/PMP/RM(DivX/XviD) |

**Specifications are subject to change without notice. Dimensions are approximate.**

## **Уважаемый покупатель!**

Благодарим Вас за покупку нашего изделия. Для обеспечения безопасности рекомендуется тщательно изучить настоящее руководство перед подключением, эксплуатацией и/или регулировкой изделия, и сохраняйте руководство для использования в будущем.

## **Содержание**

|   |           |
|---|-----------|
| <b>МЕРЫ ПРЕДОСТОРОЖНОСТИ</b> .....                    | <b>29</b> |
| <b>КОМПЛЕКТ ПОСТАВКИ</b> .....                        | <b>31</b> |
| <b>УСТАНОВКА/ПОДКЛЮЧЕНИЕ</b> .....                    | <b>32</b> |
| <b>ЭЛЕМЕНТЫ УПРАВЛЕНИЯ</b> .....                      | <b>37</b> |
| <b>ОБЩИЕ ОПЕРАЦИИ</b> .....                           | <b>40</b> |
| <b>ОПЕРАЦИИ С BLUETOOTH</b> .....                     | <b>42</b> |
| <b>ОПЕРАЦИИ С РАДИО</b> .....                         | <b>43</b> |
| <b>GPS-НАВИГАЦИЯ</b> .....                            | <b>45</b> |
| <b>ОПЕРАЦИИ С USB/SD</b> .....                        | <b>46</b> |
| <b>УПРАВЛЕНИЕ КНОПКАМИ РУЛЯ (SWC)</b> .....           | <b>48</b> |
| <b>ПЕРЕДАЧА ДАННЫХ ЧЕРЕЗ HDMI</b> .....               | <b>48</b> |
| <b>ЧИСТКА И УХОД</b> .....                            | <b>50</b> |
| <b>РУКОВОДСТВО ПО УСТРАНЕНИЮ НЕИСПРАВНОСТЕЙ</b> ..... | <b>51</b> |
| <b>ТЕХНИЧЕСКИЕ ХАРАКТЕРИСТИКИ</b> .....               | <b>52</b> |

## Меры предосторожности

- Внимательно изучите данное руководство, чтобы ознакомиться с устройством.
- Держите данное руководство под рукой в качестве справочника по правилам эксплуатации и мерам предосторожности. Не допускайте к использованию устройства посторонних лиц, не ознакомившихся и не усвоивших данные инструкции по эксплуатации.
- Не допускайте попадания жидкости на устройство. Это может повлечь поражение электрическим током. Кроме того, попадание жидкости или пыли в устройство может стать причиной его выхода из строя, перегрева и появления дыма. Оберегайте устройство от воздействия влаги.
- Убедитесь, что внутрь устройства не попали посторонние предметы. Они могут вызвать сбой в работе или стать причиной возгорания или поражения лазерным лучом.
- Началом эксплуатации устройства считается момент его установки в автомобиль. Перед началом использования устройства в зимний период рекомендуется прогреть салон автомобиля в течение 20 минут или до достижения эксплуатационного диапазона температуры устройства.
- Использование устройства при температуре, выходящей за рамки эксплуатационного диапазона температур, значительно снижает ресурс работы экрана и других компонентов устройства и может привести к выходу устройства из строя.
- При установке и подключении устройства отключите отрицательную клемму аккумулятора автомобиля.
- Устройство разработано таким образом, чтобы отрицательный вывод аккумулятора был подключен к корпусу транспортного средства. Пожалуйста, убедитесь в этом перед установкой.
- При замене предохранителя, убедитесь, что вы устанавливаете предохранитель с тем же номиналом. Используя предохранитель с повышенным значением тока, можно причинить значительные повреждения устройству.
- Не позволяйте проводам динамиков соприкасаться друг с другом или с корпусом автомобиля после включения устройства. В противном случае усилитель может быть перегружен или выйти из строя.

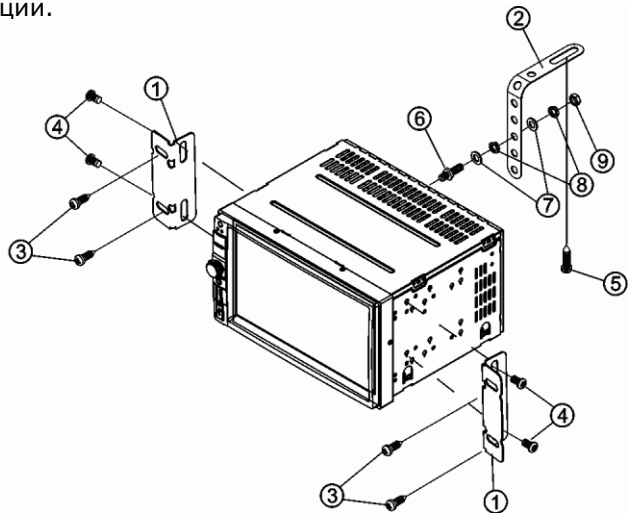
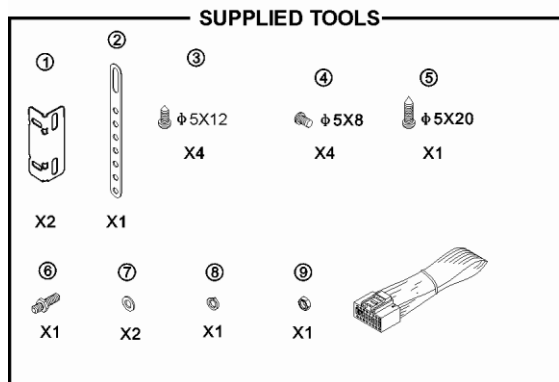
- Убедитесь, что источник питания и антенна отключены, если Вы не будете пользоваться устройством в течение длительного времени или во время грозы.
- Убедитесь, что источник питания отключен, если обнаружена неправильная работа устройства, устройство издает нехарактерные звуки, запах, выделяет дым или внутрь его попала жидкость. В этих случаях необходим квалифицированный технический осмотр устройства.
- Не устанавливайте уровень громкости, заглушающий внешние звуки дорожной обстановки и сигналы специального автотранспорта.
- При неполадках в работе устройства свяжитесь с торговым представителем или с ближайшим сервисным пунктом.

## Комплект поставки

|                                    |      |
|------------------------------------|------|
| 1. Ресивер                         | 1 шт |
| 2. Пульт дистанционного управления | 1 шт |
| 3. ISO-коннектор                   | 1 шт |
| 4. Детали для установки:           |      |
| Монтажная скоба                    | 2 шт |
| Металлическая пластина             | 1 шт |
| Винт М5х20                         | 1 шт |
| Гайка М5                           | 1 шт |
| Плоская шайба                      | 2 шт |
| Пружинная шайба                    | 2 шт |
| Крепежный болт М5                  | 1 шт |
| Шуруп М 5х12                       | 4 шт |
| Шуруп М 5х6                        | 4 шт |
| 5. Информация для потребителя      | 1 шт |
| 6. Гарантийный талон               | 1 шт |
| 7. Руководство по эксплуатации     | 1 шт |

## Установка/Подключение

- Перед окончательной установкой устройства временно подключите все провода и убедитесь, что все соединения выполнены верно, а устройство и система работают правильно.
- Для обеспечения правильной установки устройства используйте только те детали, которые входят в комплект. Использование других приспособлений может привести к появлению сбоев в его работе.
- Если для установки устройства необходимо сверлить отверстия в кузове автомобиля или вносить какие-либо другие изменения в его конструкцию, проконсультируйтесь с продавцом.
- Устанавливайте устройство там, где оно не будет закрывать водителю обзор и отвлекать от дорожной обстановки и не сможет нанести травм пассажирам в случае внезапной остановки автомобиля, например, при экстренном торможении.
- Если при установке устройства угол относительно горизонтальной плоскости превышает 30°, рабочие характеристики проигрывателя могут быть не оптимальны.
- Никогда не устанавливайте устройство в таких местах, где оно будет подвергаться воздействию высокой температуры, например, в местах попадания прямых солнечных лучей, в местах выхода горячего воздуха от отопителя автомобиля, в местах, где очень грязно или пыльно, или там, где устройство будет подвергаться сильной вибрации.

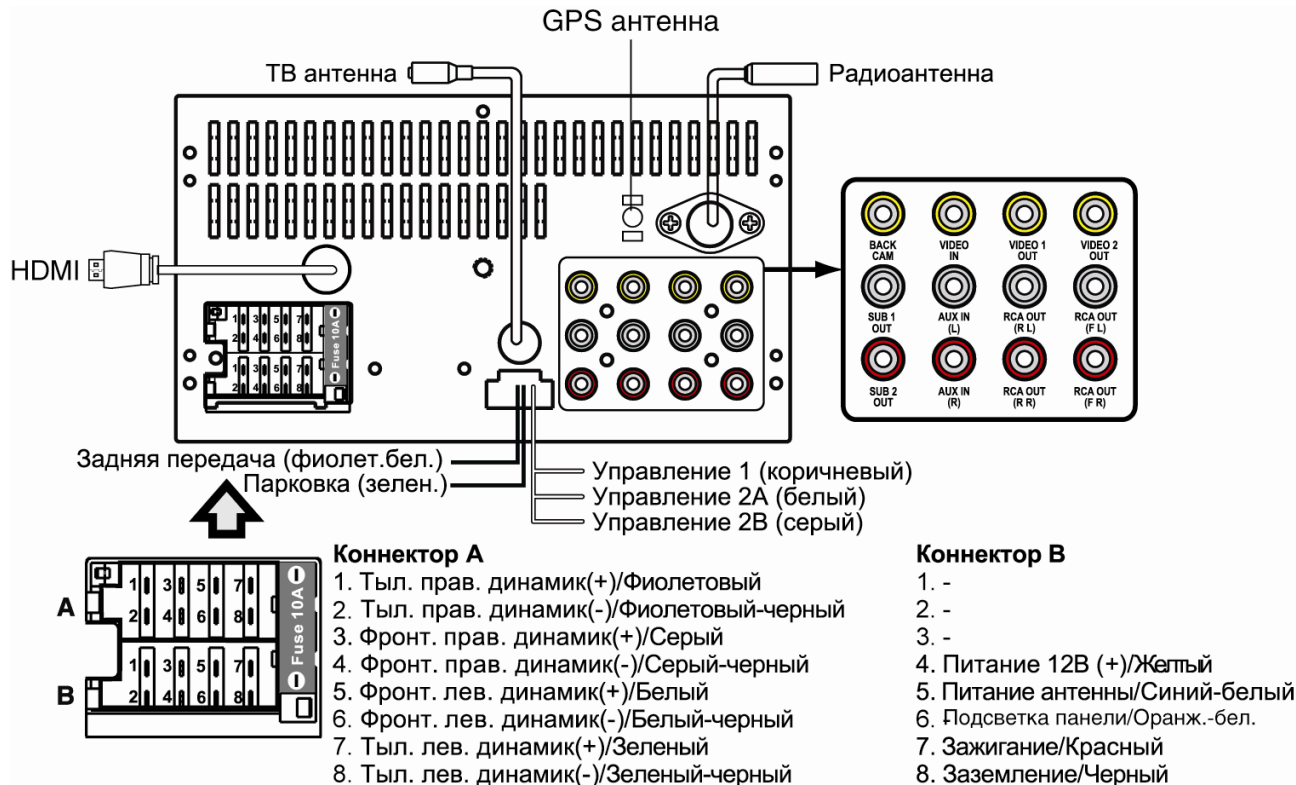




### **Установка устройства в приборную панель**

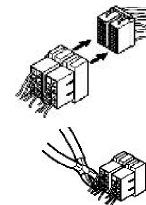
- Подсоедините аудио-видеоконнектор к соответствующему разъему на задней панели устройства в соответствии со схемой электрических подключений (см. далее).
- Прикрепите крепежные скобы к боковым панелям и задней панели устройства с помощью винтов .
- Вставьте устройство в слот до упора.
- С помощью 4 винтов прикрепите устройство спереди.
- При работе устройство может сильно нагреваться, поэтому кабели не должны касаться корпуса устройства. При плавлении оплетки кабелей возможно короткое замыкание.
- Извлечение устройства из приборной панели: Отключите питание устройства. Отключите клемму с отрицательного полюса аккумулятора автомобиля. Выверните четыре фронтальных винта. Извлеките устройство из слота и отсоедините все кабели.

**Схема подключения**



## Использование разъема ISO

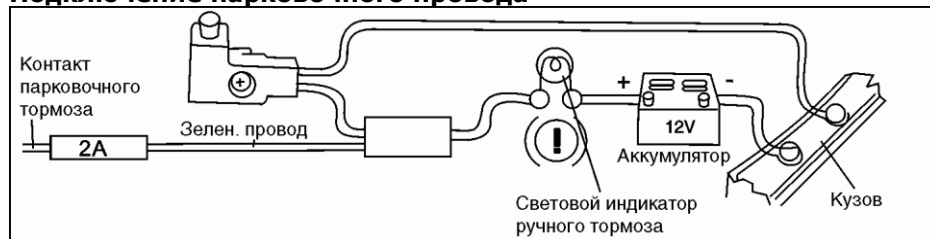
1. Если в Вашем автомобиле есть разъем ISO, произведите подключение, как показано на рисунке.
2. Для подключений без разъемов ISO внимательно проверьте все провода перед подключением, неправильное подключение может привести к повреждениям изделия. Обрежьте разъем, подключите цветные головки разъема к шнуру питания батареи в соответствии с приведенной таблицей.



| Номер | Функция                                 |                                  |
|-------|---|----------------------------------|
|       | Разъем А                                | Разъем В                         |
| 1     | Тыл. прав. динамик(+)/Фиолетовый        | -                                |
| 2     | Тыл. прав. динамик(-)/Фиолетовый-черный | -                                |
| 3     | Фронт. прав. динамик(+)/Серый           | -                                |
| 4     | Фронт. прав. динамик(-)/Серый-черный    | Питание 12В (+)/Желтый           |
| 5     | Фронт. лев. динамик(+)/Белый            | Питание антенны/Синий-белый      |
| 6     | Фронт. лев. динамик(-)/Белый-черный     | Подсветка панели/Оранжевый-белый |
| 7     | Тыл. лев. динамик(+)/Зеленый            | Зажигание/Красный                |
| 8     | Тыл. лев. динамик(-)/Зеленый-черный     | Заземление/Черный                |

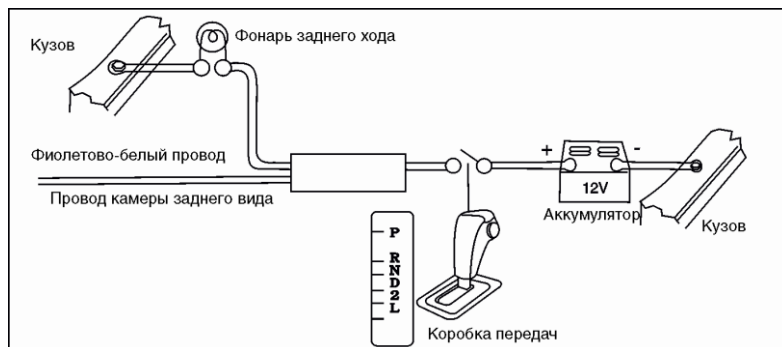
Провод питания антенны предназначен для подачи питания на антенну и для удаленного управления дополнительным усилителем.

## Подключение парковочного провода



Если парковочный провод подсоединен к ручному тормозу, наличие видеоизображения на дисплее будет зависеть от движения автомобиля, настроек системы и подключенных источников видео. При движении автомобиля вперед при воспроизведении видеодиска на дисплее отобразится предупредительная надпись "ATTENTION!! You cannot use this function while driving" ("ВНИМАНИЕ! Вы не можете использовать эту функцию во время вождения"), картинка будет отсутствовать; это позволит водителю не отвлекаться от управления автомобилем.

## Подключение провода фонаря заднего хода (для работы камеры заднего вида)

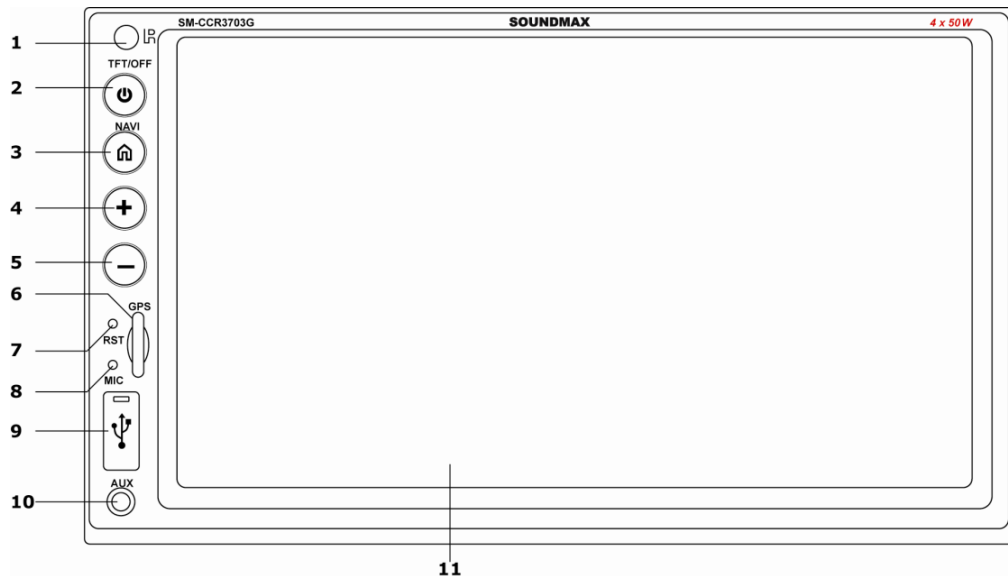


Если подключена камера заднего вида, при движении автомобиля задним ходом устройство автоматически переключится в режим камеры заднего вида. При окончании движения задним ходом устройство вернется в исходный режим.

## Элементы управления

### Передняя панель

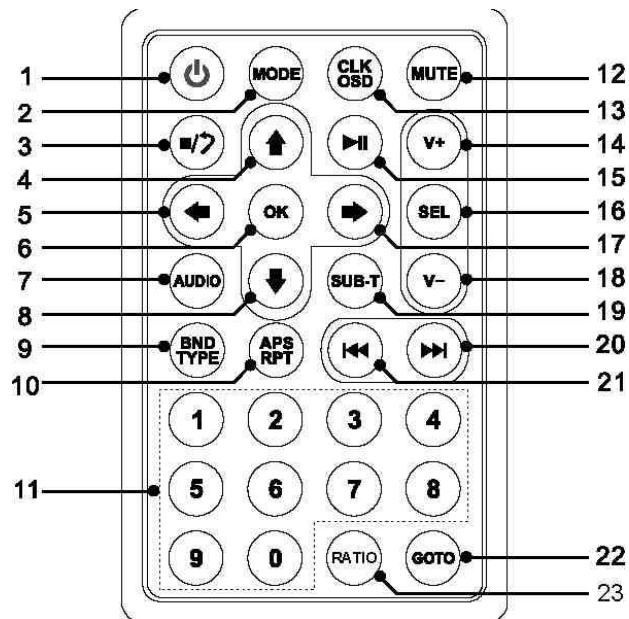
1. ИК-датчик ПДУ
2. Кнопка TFT/ON/OFF
3. Кнопка HOME/NAVI
4. Кнопка VOL+
5. Кнопка VOL-
6. Разъем для карты GPS
7. Отверстие RESET
8. Микрофон
9. USB-порт
10. Вход AUX
11. Экран



SOUNDMAX

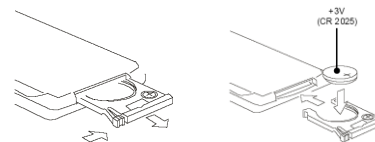
## Пульт дистанционного управления (ПДУ)

1. Кнопка POWER
2. Кнопка Mode Switch
3. Кнопка Stop Playback
4. Кнопка Вверх
5. Кнопка Влево
6. Кнопка Enter
7. Кнопка AUDIO
8. Кнопка Вниз
9. Кнопка BND/TYPE
10. Кнопка APS/RPT
11. Кнопка с цифрами
12. Кнопка MUTE
13. Кнопка CLK/OSD
14. Кнопка VOL +
15. Кнопка PLAY/PAUSE
16. Кнопка SEL
17. Кнопка Вправо
18. Кнопка VOL -
19. Кнопка SUB-T
20. Кнопка NEXT
21. Кнопка PREVIOUS
22. Кнопка GOTO
23. Кнопка RATIO



## Замена батарей

1. Откройте отсек для батарей в направлении, указанном стрелкой.
2. Замените старую батарею на новую (CR 2025 3V), соблюдая полярность. Установите отсек для батарей в корпус пульта.



### Примечание:

- Не позволяйте детям играть с батареями.
- Неправильное использование батарей может стать причиной перегрева и разрушения корпуса, что в свою очередь ведет к пожару.
- Утечка батарей может сделать причиной повреждения пульта управления (Срок работы батарей – 6 месяцев при эксплуатации в обычных условиях при комнатной температуре).
- Не закорачивайте батареи. Не бросайте батареи в огонь.
- При использовании ПДУ направляйте его на инфракрасный сенсор передней панели устройства.

## Общие операции

### Сенсорный дисплей

Данное устройство оснащено сенсорным дисплеем, позволяющим выполнять многие операции путем прикосновения к сенсорным кнопкам дисплея.

### Включение/выключение

Нажмите кнопку POWER, чтобы включить устройство. Когда устройство включено, нажмите на кнопку POWER, чтобы выключить дисплей. В это время видеосигнал будет поступать на видеовыход и выводиться на подключенное внешнее устройство. Нажмите кнопку POWER ещё раз, чтобы снова включить дисплей. Нажмите и держите кнопку POWER, чтобы выключить устройство.

### Перезагрузка устройства

После включения устройства в первый раз или после замены автомобильного аккумулятора необходимо произвести перезагрузку. Нажмите на кнопку RESET заострённым предметом (например, шариковой ручкой), чтобы перезагрузить устройство.

Вы также можете использовать эту функцию для нормализации работы устройства при ошибках, но это повлечёт за собой сброс часов и установленных настроек.

### Установки звука

- Громкость: Чтобы настроить уровень громкости, нажимайте кнопки VOL +/- . Вы также можете регулировать уровень громкости кнопками на сенсорном дисплее.
- Низкие частоты: Нажимайте кнопку SEL, пока на дисплее не отобразится надпись "BAS". С помощью кнопок VOL +/- настройте параметр. При включенном эквалайзере настройка НЧ недоступна.
- Высокие частоты: Нажимайте кнопку SEL до тех пор, пока на дисплее не отобразится надпись "TRE". С помощью кнопок VOL +/- настройте параметр. При включенном эквалайзере настройка ВЧ недоступна.



- **Баланс:** Нажимайте кнопку SEL до тех пор, пока на дисплее не отобразится надпись "BAL", С помощью кнопок VOL +/- настройте баланс звука между правыми и левыми динамиками.
- **Fader:** Нажимайте кнопку SEL до тех пор, пока на дисплее не отобразится надпись "FAD". С помощью кнопок VOL +/- настройте баланс звука между передними и задними динамиками.
- **Прочие аудионастройки:** Вы также можете настроить параметры эквалайзера, АРУ звука или включить/выключить сабвуфер, нажав на иконку "EQ" в главном меню или в меню настроек разных режимов воспроизведения.

### **Отключение звука**

Нажмите кнопку MUTE на ПДУ, чтобы выключить звук. Нажмите на кнопку ещё раз или измените уровень громкости, чтобы включить звук.

### **Выбор режима**

Нажимайте на кнопку MODE, чтобы переключаться между режимами: RADIO, USB, BT, SD и AUX in.

### **RCA-выход**

RCA-выход расположен на задней панели устройства(см. схему подключения). Данный выход служит для подключения усилителя, эквалайзера и других аудиокомпонентов. (Красный=Правый, Белый=Левый) При подключении руководствуйтесь инструкцией подключаемого устройства.

### **Видеовыход**

Видеовыход расположен на задней панели устройства. (см. схему подключения) Этот разъём (жёлтый) служит для подключения дополнительного монитора(мониторов). Посоветуйтесь с продавцом о совместимости моделей мониторов и Вашего автомобиля.. Нажимайте кнопку "BND/TYPE " для переключения между режимами PAL и NTSC.

### **Сабвуфер**

Выход для сабвуфера расположен на задней панели устройства. (см. схему подключения). Он рассчитан на подключение до 2х сабвуферов. При установке руководствуйтесь инструкцией к сабвуферу. Нажмите и держите кнопку BND/NP/SUB, чтобы включить/выключить эту функцию. Также Вы можете включить её, нажав на иконку в меню "EQ".

### **Камера заднего вида**

Выход для камеры заднего вида расположен на задней панели устройства. (см. схему подключения). Этот выход служит для подключения парковочной камеры заднего вида. Вы должны также подключить камеру (розовый провод) к задней передаче КПП, чтобы камера автоматически активизировалась при включении заднего хода.

## **Операции с Bluetooth**

### **Сопряжение**

Выберите режим работы BT, затем выполните поиск Bluetooth-устройств на телефоне. На экране телефона должна появиться надпись "BT Car Stereo". В качестве пароля введите 0000, после чего устройства будут сопряжены.

### **Панель набора номера**

Введите номер телефона на панели набора номера. Нажмите кнопку CALL (зеленую) для осуществления вызова.

### **A2DP**

Нажмите кнопку MUSIC для входа в режим A2DP, откуда вам становится доступно управление музыкой на телефоне.

**Отклонить вызов**

Нажмите кнопку REJECT (красную) для прекращения звонка или отмены входящего вызова.

**Возврат к пользовательскому интерфейсу**

Нажмите кнопку со стрелкой в правом верхнем углу экрана для возврата к интерфейсу пользователя.

**Операции с радио****Выбор диапазона**

Нажмите на значок BAND на дисплее, чтобы выбрать один из пяти диапазонов - трёх FM (FM1, FM2, and FM3) и двух AM (AM1, and AM2). Каждая из пяти ячеек может хранить до шести станций.

**Поиск радиостанции**

В режиме радио нажмите и держите кнопки PREVIOUS /NEXT, чтобы запустить автоматический поиск радиостанций. Нажмите на кнопку для ручной настройки частоты.

**Сохранение радиостанций**

На экране расположены шесть ячеек (P1-P6), которые могут хранить станции данного диапазона. Нажмите и держите один из значков на дисплее(P1-P6) до тех пор, пока не услышите звуковой сигнал. Выбранная радиостанция сохранится в данную ячейку.

**Сохранение станций**

После выбора ячейки, Вы можете настраивать частоты с помощью кнопок Seek +/- и пересохранять их, нажимая и удерживая кнопку SEL. Перезаписанные станции будут отображены в списке на месте старых.

**Mono/Stereo**

Для включения/отключения режима стерео в режиме радио нажмите на кнопку ST на сенсорном дисплее.

**Линия связи**

Чтобы переключаться между локальными и удалёнными станциями, нажмите кнопку LOC в режиме радио на сенсорном дисплее.

**Управление RDS (опционально)**

AF, TA,PTY являются функциями RDS. Они доступны лишь в некоторых странах. Если в Вашем регионе RDS недоступен, данные функции будут неактивны. Функции включаются нажатием на соответствующие кнопки на сенсорном дисплее.

**Возврат на главную страницу**

Нажмите на кнопку "BACK" в правом верхнем углу экрана, чтобы вернуться на главную страницу.

**Операции с ТВ-тюнером****SCAN**

Нажмите на кнопку SCAN на сенсорном дисплее, чтобы запустить поиск каналов с наиболее сильным сигналом для дальнейшего сохранения.

Нажимайте на кнопки PREVIOUS /NEXT для поиска следующего канала.

**Сохранение каналов.**

Все найденные в результате сканирования каналы будут автоматически сохранены.

### **Выбор сохранённых каналов**

Нажимайте кнопки курсора (вверх и вниз), чтобы переключать каналы. Также Вы можете перейти к нужному каналу, набрав его номер с помощью цифровых кнопок на ПДУ.

### **Настройка**

Чтобы переключаться между режимами ТВ, нажимайте на кнопку SYSTEM на сенсорном дисплее :  
PAL M => PAL N => NTSC MN => PAL I => SECAM DK.

### **Аудио**

Чтобы переключаться между звуковыми системами, нажимайте на кнопку AUDIO на сенсорном дисплее:

SECAM BG => SECAM DK

### **ENTER**

Во время просмотра телеканала нажмите на экран, чтобы вернуться в меню. Нажмите кнопку ENTER на сенсорном дисплее, чтобы вернуться к просмотру телеканала.

## **GPS-навигация**

Нажмите на логотип GPS на экранном меню для включения режима навигации. Следуйте инструкциям на экране для ввода пункта назначения. Управление навигацией может варьироваться в зависимости от программного обеспечения.

Нажмите кнопку HOME/NAVI один раз для перехода к главному меню. Нажмите и удерживайте эту кнопку для перехода к меню GPS (при наличии карты GPS, в противном случае будет осуществлен переход в главное меню). Нажмите HOME/NAVI повторно для возврата к главному меню.

## Операции с USB/SD

### Примечания по USB/SD/MMC разъемам

USB: Поддержка формата USB 1.1. Емкость: до 1 ТБ. microSD: Для корректной работы устройства используйте лицензионные карты памяти известных производителей. Избегайте использования нелицензионных карт памяти. Емкость: до 32 ГБ.

Согласно стандарту USB 1.1/2.0 использование USB-устройства с током потребления более 500 мА не рекомендуется без использования дополнительного источника питания. Подключение без дополнительного питания USB-носителей, потребляющих ток, который превышает данное значение, а также неисправных USB-носителей может вызвать механические или термические изменения элементов конструкции данного устройства, а также выход из строя внутренних элементов защиты USB-порта. Такие повреждения не являются гарантийным случаем.

Внимание: использование внешних USB-устройств, содержащих файлы с расширением BIN в корневой директории, может привести к сбоям в работе устройства или к повреждению программного обеспечения.

### Подключение USB-устройств/ карт памяти.

Вставьте карту памяти microSD в слот. Откройте заглушку USB-разъёма на и подключите USB-носитель.

### Кнопка HOME

Нажмите кнопку HOME во время воспроизведения для отображения полного списка файлов всех типов. Имена всех файлов будут отображены на дисплее. Выбирайте нужные файлы нажатием на них на сенсорном дисплее.

### Разрешение

Во время проигрывания видеофайлов нажмите на дисплей или на кнопку RATIO на ПДУ, чтобы поменять разрешение. Вы можете переключаться между полноэкранным режимом, 16:9 и 4:3.

### **Воспроизведение/пауза**

Нажмите кнопку PLAY/PAUSE на ПДУ, чтобы поставить воспроизведение на паузу. Нажмите на кнопку ещё раз, чтобы восстановить воспроизведение.

### **Выбор трека**

Во время воспроизведения нажмите кнопку на ПДУ или дисплее, чтобы перейти к предыдущему треку. Нажмите кнопку на ПДУ или дисплее, чтобы перейти к следующему треку.

### **Перемотка вперёд/назад**

Нажмите и держите значки перемотки на сенсорном дисплее во время воспроизведения. Чтобы вернуться к нормальному воспроизведению, отпустите кнопку.

Когда трек отмотается к началу/концу, воспроизведение возобновится в нормальном режиме.

### **Обзорное воспроизведение**

Нажмите на кнопку INT на ПДУ, чтобы включить функцию обзорного воспроизведения. Устройство проигрывает несколько секунд с начала каждого трека. Нажмите на кнопку ещё раз, чтобы отключить эту функцию.

## **Прочие настройки**

Во время воспроизведения Вы также можете настраивать такие функции как случайное/повторное воспроизведение, включать и выключать субтитры, менять аудиопотоки, нажимая на иконки внизу экрана.

## **Управление кнопками руля (SWC)**

Вы можете подключить к устройству руль автомобиля и выполнять определенные функции кнопками на руле. См. схему подключения для более подробной информации. Необходимо сначала подключить коричневый провод (SWC 1), затем белый и серый (SWC 2A и 2B), в зависимости от конфигурации руля. В главном меню выберите пункт с изображением руля. Перед началом настройки нажмите кнопку "Сброс". Вы можете назначить управление вплоть до 10 функциями, в зависимости от количества кнопок на руле. Нажмите любую кнопку на руле, затем выберите функцию, которую хотите назначить. Повторите процедуру для остальных функций. В конце нажмите "Ввод" для завершения настройки. Теперь вы можете управлять выбранными функциями при помощи руля.

## **Передача данных через HDMI**

Устройство оснащено входом HDMI для соединения со смартфонами, DVBT-2 ресиверами, медиаплеерами и другими устройствами, имеющими выход HDMI.

### СОЕДИНЕНИЕ СО СМАРТФОНОМ НА ANDROID (MHL)

К устройству можно подключить любой телефон на платформе Android с поддержкой MHL (Mobile High Definition Link). Для подключения требуется специальный MHL-адаптер, показанный на фото (адаптер в комплект не входит). После успешного подключения, звук и изображение в телефоне будут дублироваться на экране устройства, это может быть удобно для таких задач, как навигация, обмен фото- и видеоматериалами и проведение презентаций.



### СОЕДИНЕНИЕ С IPHONE (4S И ВЫШЕ)

Подключите iPhone через интерфейс HDMI. Для подключения требуется специальный HDMI-адаптер, показанный на фото (адаптер в комплект не входит). После успешного подключения, звук и изображение в телефоне будут дублироваться на экране устройства, это может быть удобно для таких задач, как навигация, обмен фото- и видеоматериалами и проведение презентаций.

Чтобы определить, поддерживает ли Ваш смартфон технологию MHL, изучите технические спецификации смартфона.

Устройством поддерживаются только оригинальные адаптеры 30pin – HDMI для iPod (и iPhone 4S), или адаптеры lightning - HDMI (для iPhone 5). Использование сторонних адаптеров официально не поддерживается, дублирование изображения и звука через такие адаптеры не гарантируется.

### **Список смартфонов на платформе Android с поддержкой MHL**

На время выпуска устройства функция MHL поддерживается в следующих моделях смартфонов крупнейших производителей (если Вы не нашли свой телефон в списке, изучите его технические спецификации на предмет поддержки MHL):

#### SAMSUNG

Galaxy Note 3, Galaxy Tab 3 8", 10.1", Galaxy S4, S4 Active, S4 Zoom, Galaxy Mega 6.3/5.8  
Galaxy Note 8, Galaxy Express, Galaxy Note II, Galaxy S III, Galaxy Nexus 2, Galaxy Note 5.3", Captivate  
Glide, Epic 4G Touch, Galaxy S II

#### HTC

Butterfly, Butterfly S, Droid DNA, One, One XL,  
One X+, One X, One S, EVO, Raider, Velocity, Vivid, Rezound, Amaze, Sensation XE, JetStream, Sensation  
4G, EVO View 4G, EVO 3D, Sensation, Flyer.

## LG

Optimus GJ, Optimus G, Optimus 4X HD, Optimus LTE II, Optimus LTE Tag, Optimus 3D Max, Optimus Vu, Spectrum, Prada, Nitro HD.

## SONY

Xperia Z1, Xperia Z Ultra, Xperia UL, Xperia ZR, Xperia AC, Xperia Tablet Z, Xperia SP, Xperia Z, Xperia ZL, Xperia TL, Xperia TX, Xperia T, Xperia V, Xperia GX, Xperia SX.

## **Чистка и уход**

### **Чистка корпуса**

Протирайте мягкой тканью. Если корпус очень загрязнен (не мочите его), используйте ткань, слегка смоченную мыльным раствором, и затем вытрите его сухой тканью.

## Руководство по устранению неисправностей

Ниже приводится таблица, в которой описаны простые проверки, способные помочь Вам устранить большую часть проблем, могущих возникнуть при использовании данного устройства. Если нижеуказанные меры не помогли, обратитесь в сервисный центр или к ближайшему автодилеру.

| Неисправность            | Причина   | Решение   |
|--------------------------|---|---|
| Нет питания              | Зажигание машины не включено.                             | Если источник питания подключен надлежащим образом к выключателю машины, установите ключ зажигания в положение "ACC". |
|                          | Сгорел предохранитель.                                    | Замените предохранитель.  |
| Нет звука                | Уровень громкости звука установлен на минимум.            | Отрегулируйте громкость звука до необходимого уровня.   |
|                          | Кабель не подключен надлежащим образом.                   | Проверьте подключение кабеля.   |
| Плохое качество звучания | Угол установки устройства более 35 градусов.              | Отрегулируйте угол установки, установив его менее 35 градусов.  |
| Не работают кнопки       | Встроенный микрокомпьютер не работает надлежащим образом. | Выполните перезапуск устройства с помощью кнопки RESET.   |

|                           |   |   |
|---------------------------|---|---|
| Радиоприемник не работает | Кабель антенны не подключен к устройству. | Подключите к устройству кабель антенны. |
|---------------------------|---|---|

## Технические характеристики

### Общие

|                                |   |
|--------------------------------|---|
| Источник питания               | 12 В постоянного тока                   |
| Максимальная выходная мощность | 4 x 50 Вт                               |
| Размеры устройства/Вес нетто   | 178 x 138 x 100 мм/1 кг                 |
| Угол установки                 | от 0 до +/- 300                         |
| Диапазон рабочих температур    | -20 <sup>0</sup> С - +60 <sup>0</sup> С |

### Дисплей

|               |                        |
|---------------|------------------------|
| Дисплей       | 7-дюймовый TFT-дисплей |
| Разрешение    | 800 x 600 (RGB)        |
| Формат        | 16:9                   |
| Контрастность | 500:1                  |
| Яркость       | 400 кд/м <sup>2</sup>  |
| Угол обзора   | 120 <sup>0</sup>       |

### FM радио

|                         |                                     |
|-------------------------|-------------------------------------|
| Частотный диапазон      | 65 МГц – 74 МГц/87,5 М Гц – 108 МГц |
| Память цифрового тюнера | 18 станций                          |

### AM (MW) радио

|                         |                |
|-------------------------|----------------|
| Частотный диапазон      | 522 – 1620 кГц |
| Память цифрового тюнера | 12 станций     |

### ТВ тюнер

|                   |                    |
|-------------------|--------------------|
| Система цветности | PAL/SECAM          |
| Диапазон          | 48,25 – 863,25 МГц |

**Bluetooth**

2.1+EDR (длина ключа 4-128 бит), максимальная дальность  
Действия без усиления и ретрансляторов 10 метров

Частота, МГц

2400-2483,5

Мощность, мВт

10

Протокол

802.15.4

**Плеер**

Поддержка носителей

USB/micro SD

Поддержка форматов

MP3/WMA/OGG/AAC/RMVB/FLV/TS/TP/M2TS/AVI/  
MPEG4/MOV/MKV/MPG/VOB/PMP/RM(DivX/XviD)

**Технические характеристики могут быть изменены заводом-изготовителем без предварительного уведомления. Указанные геометрические размеры имеют приблизительные значения.**

**Произведено:**

Шеньжень Нека Электроникс Компани Лимитед  
Флоор 4-5, Блок 7, Да Ванг Индастриал Зон,  
Пинг Ху, Лонганг, Шэньчжэнь, Китай

**Под контролем «ТЕХНО ЭЛЕКТРИК ЛИМИТЕД»**

Сделано в Китае

**EAC**